

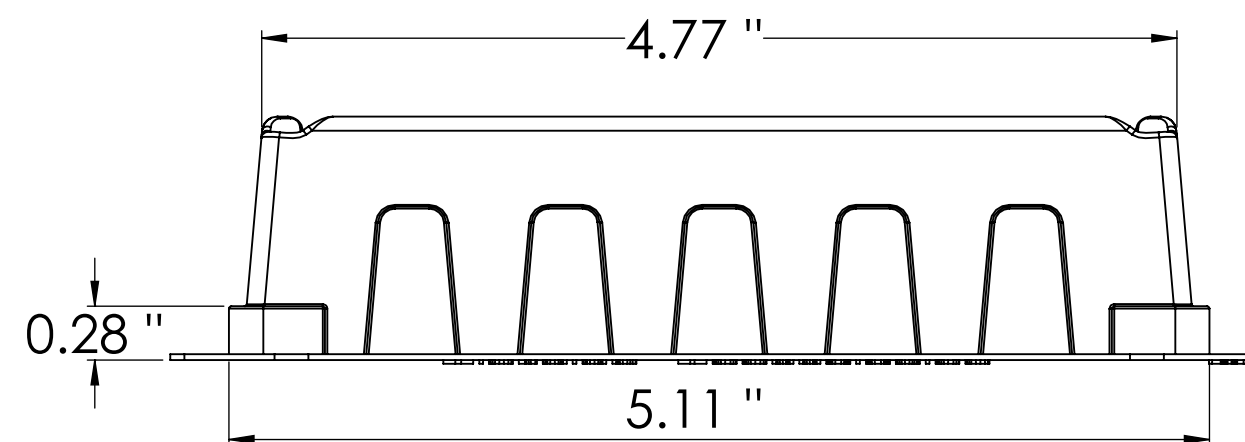
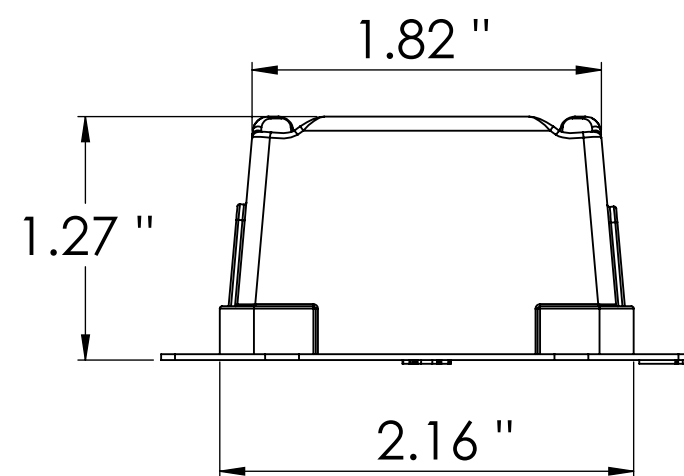
50mL Reagent Reservoir

Individually Wrapped CatNo's:

3054-1007 (Sterile, 50/case)
 3054-2007 (Sterile, 100/case)

Bulk CatNo's:

3054-1006 (Sterile, 100/case, 10/bag)
 3054-2006 (Sterile, 200/case, 20/bag)
 4054-1006 (Non-Sterile, 100/case, 10/bag)



Material: Polystyrene

ALL DIMENSIONS FOR REFERENCE ONLY



VistaLab Technologies
 2 Geneva Road
 Brewster, NY 10509
 Made in the USA

SCALE 1:1

Lit # L054-0029-001
 Rev A