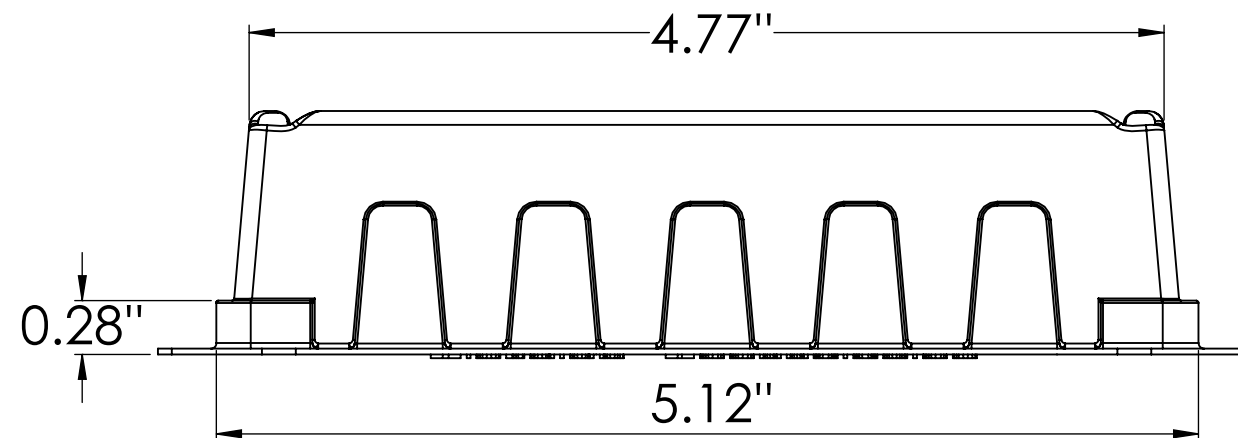
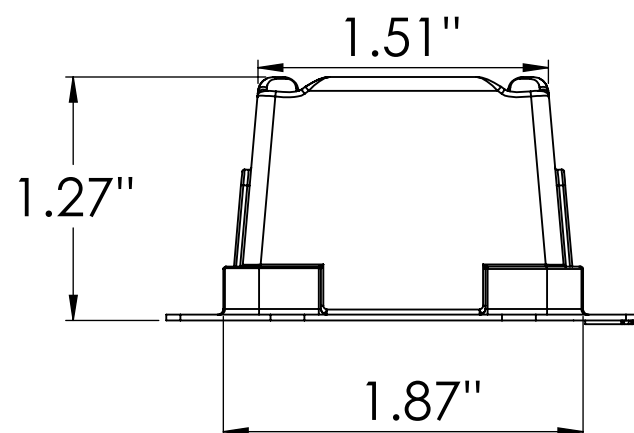


## 25mL Div. Reagent Reservoir

**Individually Wrapped CatNo's:**  
3054-1005 (Sterile, 50/case)

**Bulk CatNo's:**  
3054-1004 (Sterile, 100/case, 10/bag)  
4054-1004 (Non-Sterile, 100/case, 10/bag)



Material: Polystyrene

**ALL DIMENSIONS FOR REFERENCE ONLY**



VistaLab Technologies  
2 Geneva Road,  
Brewster, NY 10509  
Made in the USA

SCALE 1:1

Lit # L054-0027-001  
Rev A