

## 12 Ch. Reagent Reservoir w/ Lid

### Individually Wrapped CatNo's:

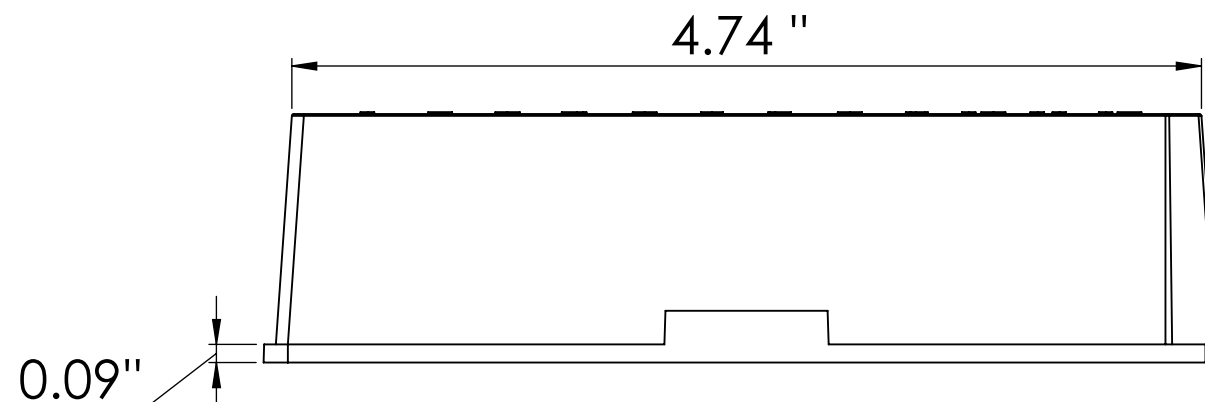
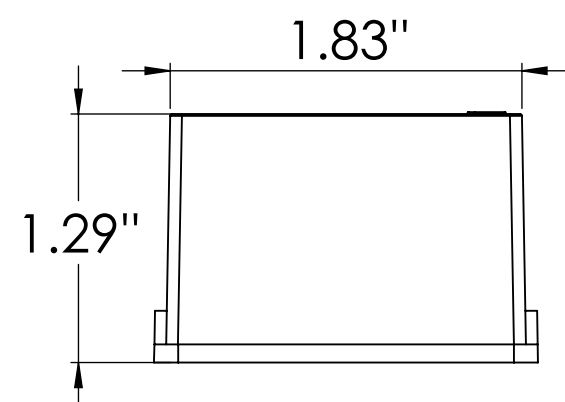
3054-1010 (Sterile, 10/case)

3054-1011 (Sterile, 25/case)

### Bulk CatNo's:

4054-1010 (Non-Sterile, 10/case)

4054-1004 (Non-Sterile, 25/case)



Material: Polypropylene

**ALL DIMENSIONS FOR REFERENCE ONLY**



VistaLab Technologies  
2 Geneva Road,  
Brewster, NY 10509  
Made in the USA

SCALE 1:1

Lit #L054-0031-001  
Rev A